

## VOLUMETRIC ROTARY PISTON WATER METER

Model: LXHY-15E LXHG-15E



### APPLICATION:

This range of water meter is used to measure the total quantity of cold potable water which consumed in household or a resident unit, passing through the pipeline.

### FEATURES:

Adopt volumetric rotary piston principle of measurement with conformity to ISO 4064 class C、D High sensitivity enables the accurate measurement even at a low flow rate of 4 L/h Mechanical parts use of high-quality material to ensure a stable characteristic (The LXHG is dry type.The LXHY is Liquid sealed register).

### WORKING CONDITION:

Water temperature:  $\leq 50^{\circ}\text{C}$  Water pressure:  $\leq 1.6\text{ MPa}$  16 bars)

COMPLIANCE WITH STANDARD: ISO 4064 (GB/T778-1996)

### INDICATING ERROR:

At low zone is  $\pm 5\%$  from minimum flow rate( $q_{\min}$ )to transitional flow rate( $q_t$ )exclusive boundary

At high zone is  $\pm 2\%$  from transitional flow rate( $q_t$ ) to overload flow rate( $q_s$ )

---

### NINGBO AIMEI METER MANUFACTURE CO., LTD.

**Address:** 68 Western Town Road Shangtian Town Fenghua City Zhejiang China-315511

Tel: +86-574-88637838

Fax: +86-574-88637968

Email: [ai.mei@chinaime.com](mailto:ai.mei@chinaime.com)

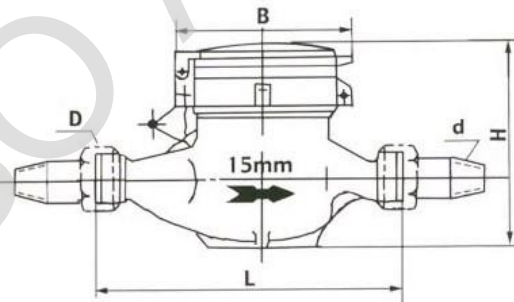
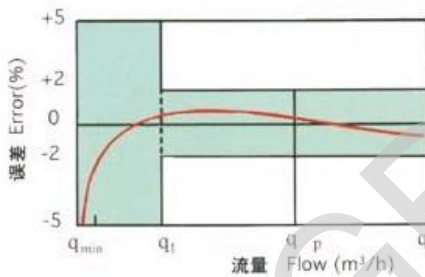
### MAIN TECHNICAL DATA

Type	Size (mm)	Class	Qn	Qp	Qn	Qmin	Min. Reading	Max. Reading
			Max. Flow	Nominal Flow	Transitional Flow	Min. Flow		
			m <sup>3</sup> /h		L/h		m <sup>3</sup>	
LXHY-15E/ LXHG-15E	15	C	3	1.5	22.5	15.0	0.0001	99999
		D			17.25	11.25		
LXHY-20E/ LXHG-20E	20	C	5	2.5	37.5	25	0.0001	99999
		D			28.75	18.75		

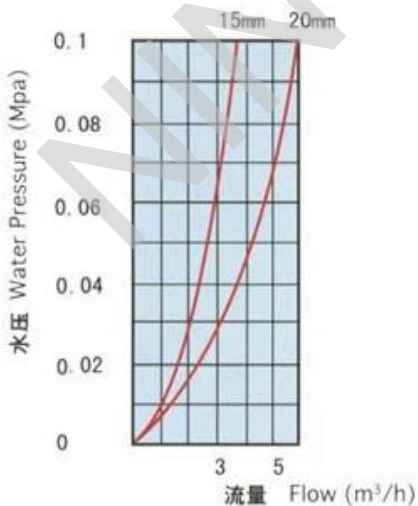
### DIMENSIONS AND WEIGHT

Type	Length	Width	Height	Connecting Thread D		Weight (kg)
mm				D	d	kg
15	165/190	104	113	G3/4B	R1/2	1.4/1.5
20	190	104	121	G1B	R3/4	2

### FLOW ERROR CURVE



### PRESSURE LOSS CURVE



**NINGBO AIMEI METER MANUFACTURE CO., LTD.**

**Address:** 68 Western Town Road Shangtian Town Fenghua City Zhejiang China-315511

Tel: +86-574-88637838

Fax: +86-574-88637968

Email: [ai.mei@chinaime.com](mailto:ai.mei@chinaime.com)