

**SINGLE JET DRY TYPE VANE WHEEL WATER METER
MODEL: LXSC-13D3~25D3**



Application:

Measuring the volume of cold potable water passing through the pipeline

Features:

Dry type, small, light, magnetic drive, free rotating register, easy and long term clear reading
Magnet resistance with LXSC-13D3-25D3

Working Condition :

Water temperature: $\leq 40^{\circ}\text{C}$ for cold water ($\leq 90^{\circ}\text{C}$ for hot water)

Water pressure: $\leq 1.6\text{ MPa}$ (16 bar)

Maximum Permissible Error

- a) In the lower zone from Q_{\min} inclusive up to but excluding Q_t is: Cold potable and Hot water meter $\pm 5\%$
- b) In the upper zone from Q_t inclusive up to and including Q_s is: Cold potable water meter $\pm 2\%$

MAIN TECHNICAL DATA

Type	Size (mm)	Class	Qn	Qp	Qn	Qmin	Min. Reading	Max. Reading
			Max. Flow	Nominal Flow	Transitional Flow	Min. Flow		
							m^3/h	
							m^3	
LXSC-13D3	13	A	3	1.5	150	60	0.0001	99,999
		B			120	30		
LXSC-20D3	20	A	5	2.5	250	100	0.0001	99,999
		B			200	50		
LXSC-25D3	25	A	7	3.5	350	140	0.0001	99,999
		B			280	70		

NINGBO AIMEI METER MANUFACTURE CO., LTD.

Address: 68 Western Town Road Shangtian Town Fenghua City Zhejiang China-315511

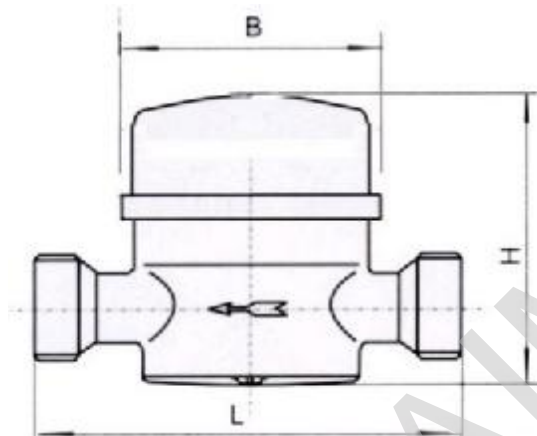
Tel: +86-574-88637838

Fax: +86-574-88637968

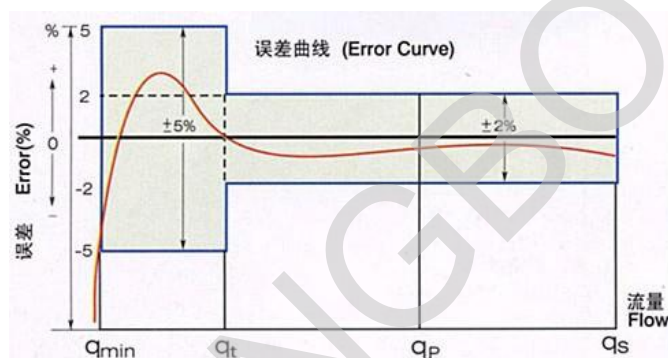
Email: aimei@chinaaimei.com

DIMENSIONS AND WEIGHT

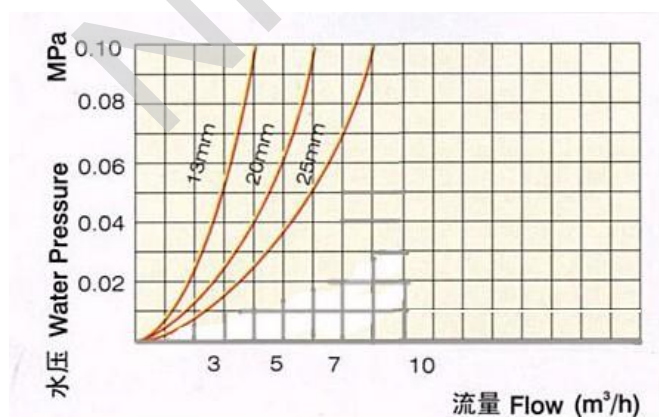
Type	Size (mm)	Length	Width	Height	Connecting Thread D	Weight (kg)
mm					D	kg
LXSC-13D3	13	80/110	77	85	G 3/4B	0.6/0.7kg
LXSC-20D3	20	130	77	85	G 1B	0.9 kg
LXSC-25D3	25	160	77	92	G1 1/4B	1.47kg



FLOW ERROR CURVE



PRESSURE LOSS CURVE



NINGBO AIMEI METER MANUFACTURE CO., LTD.

Address: 68 Western Town Road Shangtian Town Fenghua City Zhejiang China-315511

Tel: +86-574-88637838

Fax: +86-574-88637968

Email: aimei@chinaaimei.com