

WI-50A-300A

Woltman type irrigation & agriculture water meter

This type of water meter can be used for a remote reading transmission system as equipped with a built-in sensor.



Application

--Measuring the volume of cold (hot) water passing through the pipeline

Feature:

- Removable element structure, easy installation and maintenance;
- Dry-dial, Magnetic drive;
- Large flow capacity, small pressure loss;
- Resist water hammer and pollution;
- Vacuum sealed register ensures the dial keep free from condensation and keep the reading clear in a long term service;
- Selected high quality materials for steady and reliable characteristic;
- Technical data conform to international standard ISO 4064.

Working condition

Water temperature: $0.1^{\circ}\text{C} \sim 40^{\circ}\text{C}$ ($0.1^{\circ}\text{C} \sim 90^{\circ}\text{C}$ for hot water meter)

Water pressure: $\leq 1.0\text{Mpa}$ (1.6MPa on request)

Maximum permissible errors

NINGBO AIMEI METER MANUFACTURE CO., LTD.

Address: 68 Western Town Road Shangtian Town Fenghua City Zhejiang China-315511

Tel: +86-574-88637838

Fax: +86-574-88637968

Email: aimei@chinaaimei.com

- (1) in the lower zone from q_{\min} inclusive up to but excluding q_t is $\pm 5\%$
 (2) in the upper zone from q_t inclusive up to and including q_s is $\pm 2\%$ ($\pm 3\%$ for hot water meter)

MAIN TECHNICAL SPECIFICATIONS FOR COLD WATER

Type	Size (mm)	Class	q_s	q_p	q_t	q_{\min}	Min. Reading	Max. Reading
			Overload Flow	Permanent Flow	Transitional Flow	Min. Flow		
			m^3/h				m^3	
WI -50A	50	A	30	15	4.5	1.2	0.0002	999,999
		B			3.0	0.45		
WI -65A	65	A	50	25	7.5	2.0	0.002	999,999
		B			5	0.75		
WI -80A	80	A	80	40	12	3.2	0.002	999,999
		B			8.0	1.2		
WI -100A	100	A	120	60	18	4.8	0.002	999,999
		B			12	1.8		
WI -125A	125	A	200	100	30	8	0.002	999,999
		B			20	3		
WI -150A	150	A	300	150	45	12	0.002	999,999
		B			30	4.5		
WI -200A	200	A	500	250	75	20	0.002	999,999
		B			50	7.5		
WI -250A	250	A	800	400	120	32	0.02	9,999,999
		B			80	12		
WI -300A	300	A	1200	600	180	48	0.02	9,999,999

DIMENSIONS

Type	Size	L Length	H Height	Connecting flange		
				ϕ D1 Outside diameter	ϕ D2 Bolt circle diameter	Connecting Bolts (n-M)
				mm		
WI-50A	50	200	253	165	125	4-M16
WI-65A	65	200	268	185	145	4-M16
WI-80A	80	225	284	200	160	8-M16
WI-100A	100	250	295	220	180	8-M16
WI-125A	125	250	310	250	210	8-M16
WI-150A	150	300	339	285	240	8-M20

NINGBO AIMEI METER MANUFACTURE CO., LTD.

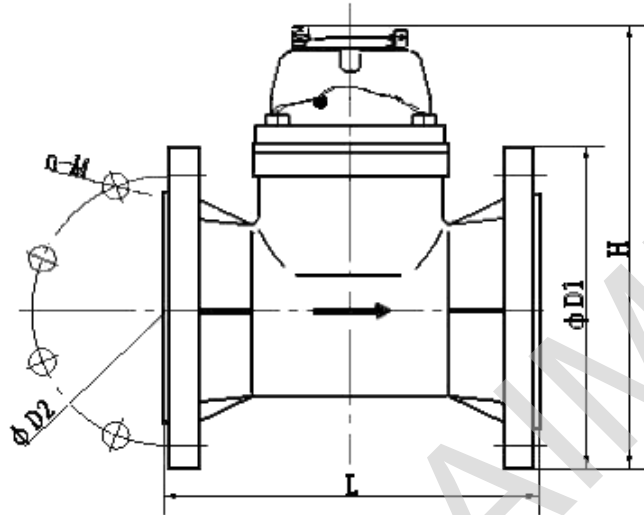
Address: 68 Western Town Road Shangtian Town Fenghua City Zhejiang China-315511

Tel: +86-574-88637838

Fax: +86-574-88637968

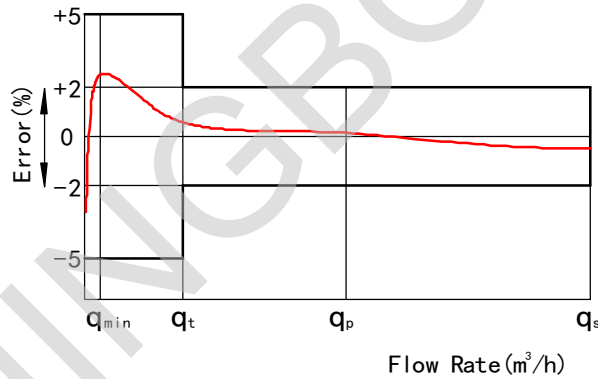
Email: aimei@chinaaimei.com

WI-200A	200	350	382	340	295	8-M20(1.0MPa)
						12-M20(1.6MPa)
WI-250A	250	400	433	395	350	12-M20(1.0MPa)
		450	438	405	355	12-M24(1.6MPa)
WI-300A	300	450	483	445	400	12-M20(1.0MPa)
		500	488	460	410	12-M24(1.6MPa)

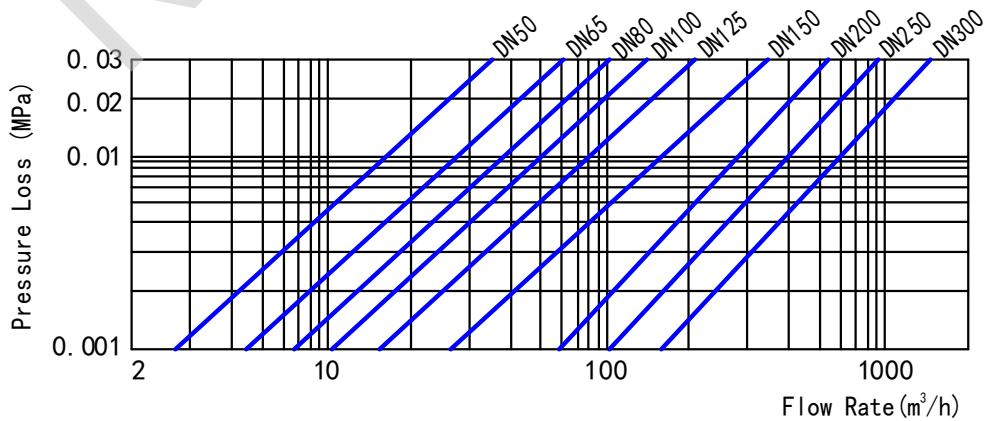


NOTE: The flange dimension conforms to ISO7005-2:1988 standard. Order for products of special requirements is also accepted.

Flow Error Curve



Pressure Loss Curve





WI-50~300 HORIZONTAL VANE WHEEL, DRY-DIAL COLD WATER METER

NINGBO AIMEI METER MANUFACTURE CO., LTD.

Address: 68 Western Town Road Shangtian Town Fenghua City Zhejiang China-315511

Tel: +86-574-88637838

Fax: +86-574-88637968

Email: aimei@chinaaimei.com

Code	Description	Material	QTY
1	Screw M5×45 For Sealing	Stainless Steel	1
2	Screw M5×45	Stainless Steel	1
3	Cover With Lid	Assembly	1
4	Sealed Register	Assembly	1
5	Fixing pin	Brass	1
6	Retainer Ring	ABS	1
7	Screw	Brass	4
8	Pin	Stainless Steel	1
9	Support	ABS	1
10	Bolt For Sealing	Stainless Steel	2
11	Bolt M12×35	Stainless Steel	2
12	Gasket	Stainless Steel	4
13	Adjusting Nut	Brass	1
14	Flange Plate	Cast Iron	1
15	O-ring	Silicon Rubber	1
16	O-ring	Silicon Rubber	1
17	Bush For Adjustment	Brass	1
18	Upper Bearing Plate	Brass	1
19	Screw	Brass	4
20	Lower Central Gear	Component	1
21	Cover Plate	MPPO	1
22	O-ring For Adjustment	Rubber	2
23	Transmission Gear Component	Assembly	1
24	Adjusting Lever	Brass	1
25	Turbine	Component	1
26	Adjusting Plate	MPPO	1
27	Bush with Agate	Nylon with Graphite	1
28	Measuring Chamber	MPPO	1
29	Fixing Screw	Brass	3
30	O-ring	Rubber	1
31	Body	Cast Iron	1

NINGBO AIMEI METER MANUFACTURE CO., LTD.

Address: 68 Western Town Road Shangtian Town Fenghua City Zhejiang China-315511

Tel: +86-574-88637838

Fax: +86-574-88637968

Email: aimei@chinaaimei.com