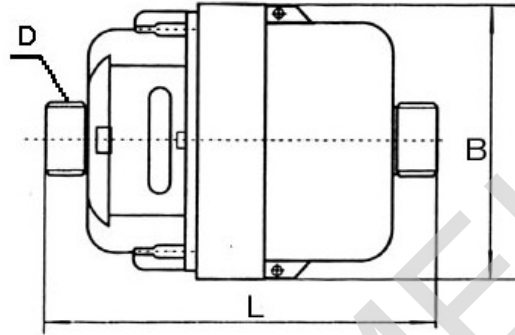


**VOLUMETRIC ROTARY PISTON PLASTIC BODY COLD WATER METER  
MODEL: LXH-15S-20S**



**APPLICATION:**

- ◆ Measuring the volume of cold potable water passing through the pipeline.

**FEATURES:**

- ◆ Completely plastic shell, solid and robust design, long service guaranteed.
- ◆ High quality materials fiberglass reinforced polymerization amine (WRAS approved) corrosion resistance.
- ◆ Plastic thread connecting couplings.
- ◆ Optimum accuracy and performance at all times, in any position;
- ◆ Revolutionary grooved piston for improved, durability and performance;
- ◆ Durable tamperproof construction;
- ◆ Volumetric meter, on principle of piston rotation, accurate measurement, easy and long term clear reading, etc.
- ◆ Measuring accuracy is up to ISO4064, Class C/D

**WORKING CONDITION:**

- ◆ Water temperature:  $\leq 50^{\circ}\text{C}$
- ◆ Water pressure:  $\leq 1.6\text{MP}$ (16bar)

**MAXIMUM PERMISSIBLE ERROR:**

- ◆ In the lower zone from  $q_{\min}$  inclusive up to but excluding  $q_t$  is  $\pm 5\%$
- ◆ In the upper zone from  $q_t$  inclusive up to and including  $q_s$  is  $\pm 2\%$

**ACCESSORIES**

**Optional: Both brass connections and plastic connections are available.**

---

**NINGBO AIMEI METER MANUFACTURE CO., LTD.**

**Address:** 68 Western Town Road Shangtian Town Fenghua City Zhejiang China-315511

Tel: +86-574-88637838

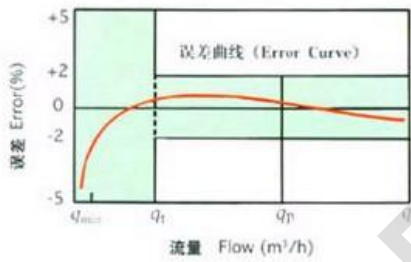
Fax: +86-574-88637968

Email: [aimei@chinaaimei.com](mailto:aimei@chinaaimei.com)

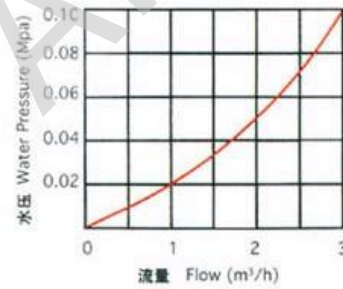
Type	Size (mm)	Class	q <sub>s</sub>	q <sub>p</sub>	q <sub>t</sub>	q <sub>min</sub>	Min. Reading	Max. Reading
			Max. Flow	Nominal Flow	Transitional Flow	Min. Flow		
			m <sup>3</sup> /h		L/h		m <sup>3</sup>	
LXH-15S	15	C	3	1.5	22.5	15.0	0.0001	9999
		D			17.25	11.25		
LXH-20S	20	C	5	2.5	37.5	25	0.0001	9999
		D			28.75	18.75		

Type	Size	Length	Width	Connection Thread	Weight
LXH-15S	15	115	90	G3/4B	0.6kg
LXH-20S	20	190	95	G1B	0.8kg

• 流量误差曲线 Flow Error Curve



• 压力损失曲线 Head Loss Curve



**NINGBO AIMEI METER MANUFACTURE CO., LTD.**

**Address:** 68 Western Town Road Shangtian Town Fenghua City Zhejiang China-315511

Tel: +86-574-88637838

Fax: +86-574-88637968

Email: [aimei@chinaaimei.com](mailto:aimei@chinaaimei.com)