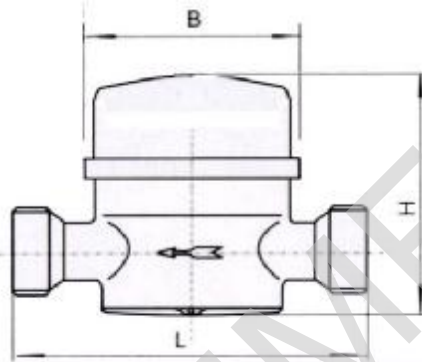


Single Jet Dry Dial Plastic Water Meter  
 MODEL: LXSC-13S



**APPLICATION:**

- ◆ Measuring the volume of cold/hot potable water passing through the pipeline.

**FEATURES:**

- ◆ Completely plastic shell, solid and robust design, long service guaranteed.
- ◆ High quality materials fiberglass reinforced polymerization amine (WRAS approved), corrosion resistance
- ◆ Anti-magnet
- ◆ Steady curve characteristics
- ◆ Measuring accuracy is up to ISO4064, Class B.
- ◆ Overload flow rate:  $Q_s=2Q_p$  ( $Q_n$ =nominal flow rate)

**WORKING CONDITION:**

- ◆ Water temperature:  $\leq 40^\circ\text{C}$  ( $90^\circ\text{C}$  for hot water meter)
- ◆ Water pressure:  $\leq 1.0\text{MP}$  (10bar)

**MAXIMUM PERMISSIBLE ERROR:**

- ◆ In the lower zone from  $q_{\min}$  inclusive up to but excluding  $q_t$  is  $\pm 5\%$
- ◆ In the upper zone from  $q_t$  inclusive up to and including  $q_s$  is  $\pm 2\%$

**ACCESSORIES**

**Optional: Both brass thread connections and plastic thread connections are available.**

Type	Size (mm)	Class	$q_s$	$q_p$	$q_t$	$q_{\min}$	Min. Reading	Max. Reading
			Max. Flow	Nominal Flow	Transitional Flow	Min. Flow		
			m <sup>3</sup> /h		L/h		m <sup>3</sup>	
LXSC-13S	13	B	3	1.5	120	30	0.0001	99999

Type	Size	L	B	H	Connection Thread	Weight
LXSC-13S	13	110	77	85	G3/4B	0.45kg

**NINGBO AIMEI METER MANUFACTURE CO., LTD.**

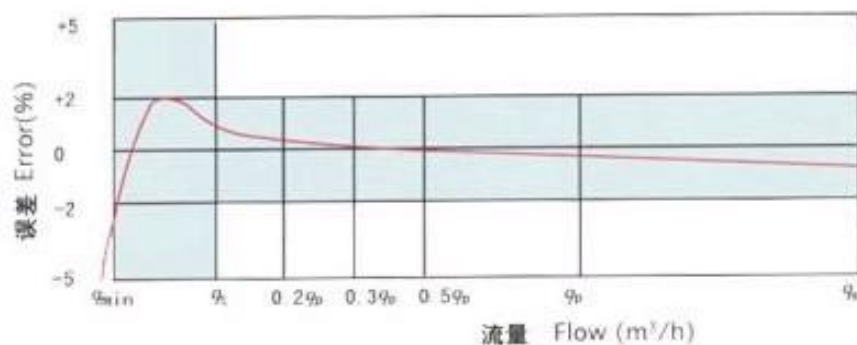
**Address:** 68 Western Town Road Shangtian Town Fenghua City Zhejiang China-315511

Tel: +86-574-88637838

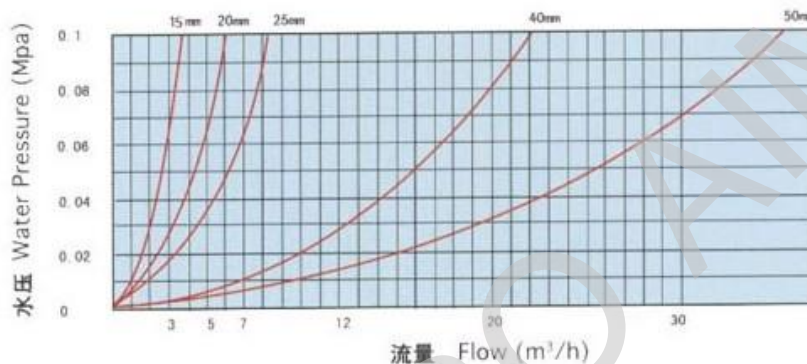
Fax: +86-574-88637968

Email: [aimei@chinaaimei.com](mailto:aimei@chinaaimei.com)

### Flow Error Curve



### Head Loss Curve



---

**NINGBO AIMEI METER MANUFACTURE CO., LTD.**

**Address:** 68 Western Town Road Shangtian Town Fenghua City Zhejiang China-315511

Tel: +86-574-88637838

Fax: +86-574-88637968

Email: [aimei@chinaaimei.com](mailto:aimei@chinaaimei.com)