
Single Jet Dry Dial Vane Wheel Water Meter
Model: LXSC-13D8



APPLICATION:

- ◆ Measuring the volume of cold potable water passing through the pipeline.

FEATURES:

- ◆ Single jet, dry dial;
- ◆ Magnetic drive, magnet resistance;
- ◆ Optimum accuracy and performance at all times;
- ◆ Accurate measurement, easy and long term clear reading, etc.
- ◆ Measuring accuracy is up to ISO4064, Class C

WORKING CONDITION:

- ◆ Water temperature: Cold Water Meter $\leq 50^{\circ}\text{C}$ Hot Water Meter $\leq 90^{\circ}\text{C}$
- ◆ Water pressure: $\leq 1.6\text{Mpa}$ (16bar)

MAXIMUM PERMISSIBLE ERROR:

- ◆ In the lower zone from q_{\min} inclusive up to but excluding q_t is $\pm 5\%$
- ◆ In the upper zone from q_t inclusive up to and including q_s is $\pm 2\%$

NINGBO AIMEI METER MANUFACTURE CO., LTD.

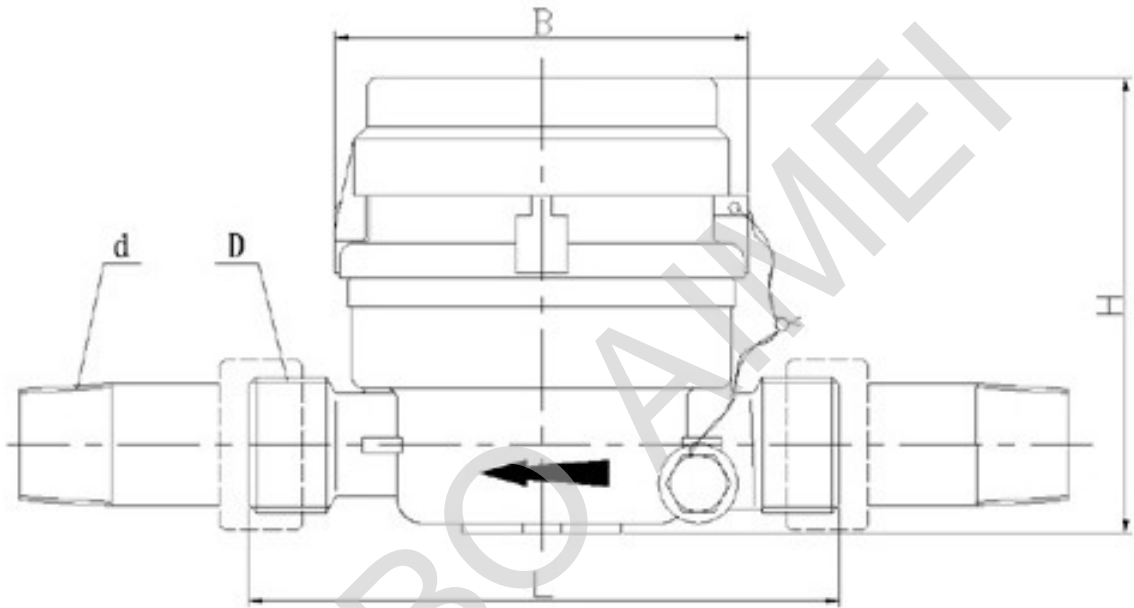
Address: 68 Western Town Road Shangtian Town Fenghua City Zhejiang China-315511

Tel: +86-574-88637838

Fax: +86-574-88637968

Email: aimei@chinaaimei.com

Type	Size (mm)	Class	q_s	q_p	q_t	q_{min}	Min. Reading	Max. Reading
			Max. Flow	Nominal Flow	Transitional Flow	Min. Flow		
			m ³ /h		L/h		m ³	
LXSC-13D8	15	B	3	1.5	120	30	0.0001	9999
		C			22.5	15		



Type	Size	L	B	B	Connection Thread	Weight
LXSC-13D8	15	115	77	85	G3/4B	0.6kg

NINGBO AIMEI METER MANUFACTURE CO., LTD.

Address: 68 Western Town Road Shangtian Town Fenghua City Zhejiang China-315511

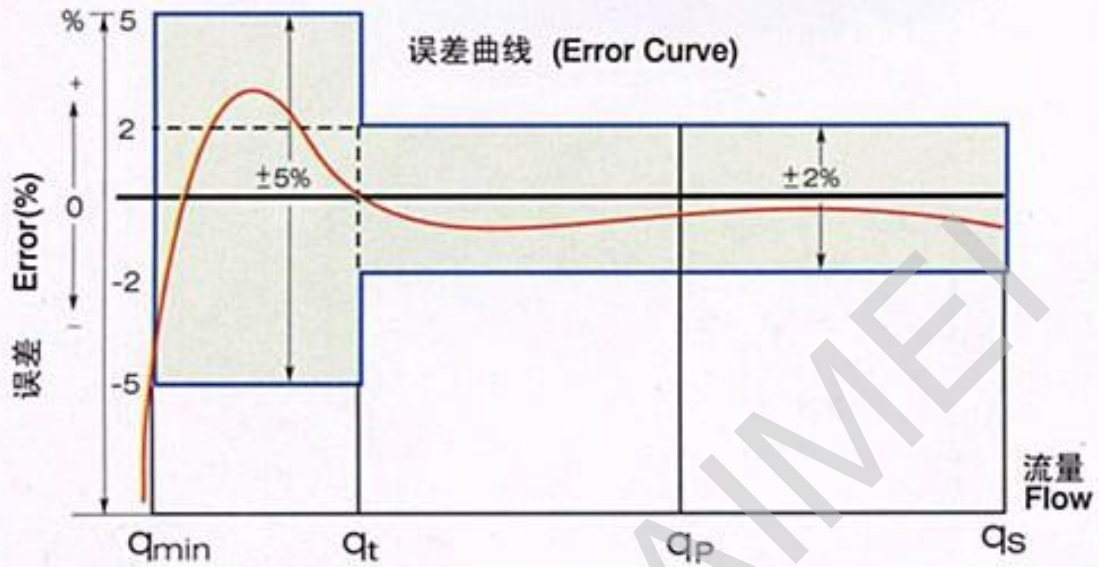
Tel: +86-574-88637838

Fax: +86-574-88637968

Email: aimei@chinaaimei.com

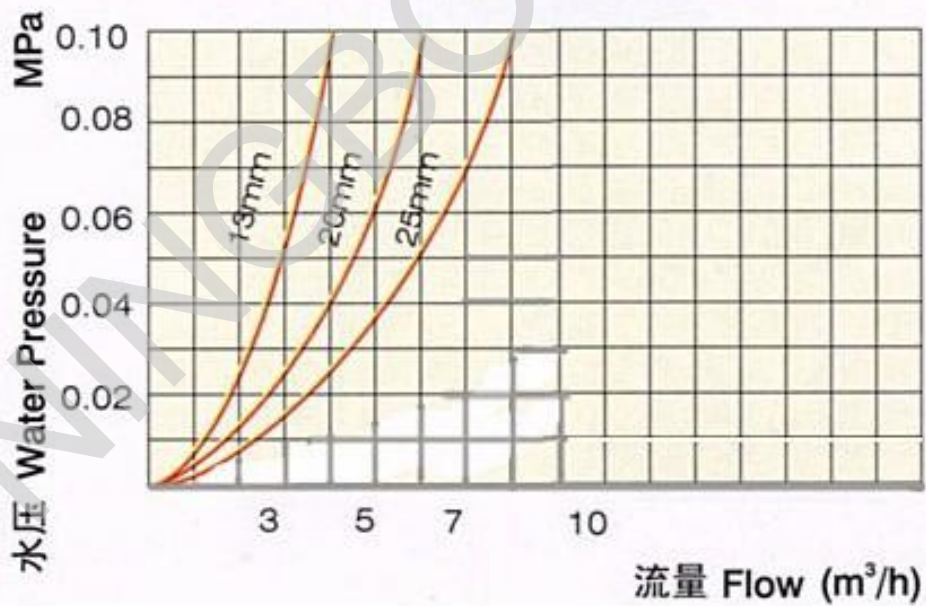
性能误差曲线

Flow Error Curve



水头损失曲线

Pressure Loss Curve



NINGBO AIMEI METER MANUFACTURE CO., LTD.

Address: 68 Western Town Road Shangtian Town Fenghua City Zhejiang China-315511

Tel: +86-574-88637838

Fax: +86-574-88637968

Email: aimei@chinaaimei.com