

**WS-50-150 (mm)**  
**Woltman cold water meter**



**APPLICATION:**

Measuring the volume of cold water passing through the pipeline.

**FEATURES:**

Dry type, magnetic drive, wide measurement range, accurate measurement at low flow rate, high sensitivity, low pressure loss and long working life, can be installed both horizontally and vertically etc.

**WORKING CONDITION:**

Water temperature:  $\leq 40^{\circ}\text{C}$     Water pressure:  $\leq 1.0\text{MPa}$  (1.6MPa for option)

**COMPLIANCE WITH STANDARD: ISO 4064**

**Maximum permissible error:**

- (1) in the lower zone from  $q_{\min}$  inclusive up to but excluding  $q_t$  is  $\pm 5\%$ .
- (2) in the upper zone from  $q_t$  inclusive up to and including  $q_s$  is  $\pm 2\%$ ;

---

**NINGBO AIMEI METER MANUFACTURE CO., LTD.**

**Address:** 68 Western Town Road Shangtian Town Fenghua City Zhejiang China-315511

Tel: +86-574-88637838

Fax: +86-574-88637968

Email: [aimei@chinaaimei.com](mailto:aimei@chinaaimei.com)

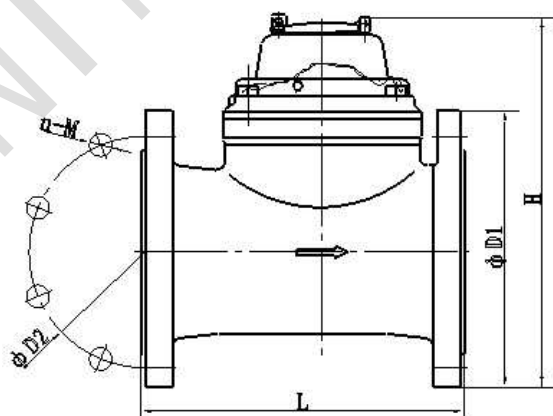
## MAIN TECHNICAL SPECIFICATIONS

Type	Size (mm)	Class	q <sub>s</sub>	q <sub>p</sub>	q <sub>t</sub>	q <sub>min</sub>	Min. Reading	Max. Reading
			Overload Flow	Permanent Flow	Transitional Flow	Min. Flow		
			m <sup>3</sup> /h				m <sup>3</sup>	
WS -50	50	A	30	15	4.5	1.2	0.01	9,999,999
		B			3.0	0.45		
WS -80	80	A	80	40	12	3.2	0.01	9,999,999
		B			8.0	1.2		
WS -100	100	A	120	60	18	4.8	0.01	9,999,999
		B			12	1.8		
WS -150	150	A	300	150	45	12	0.01	9,999,999
		B			30	4.5		

## DIMENSIONS

Type	Size	L Length	H Height	Connecting flange		
				φ D1 Outside diameter	φ D2 Bolt circle diameter	Connecting Bolts (n-M)
				mm		
WS -50	50	280	261	165	125	4-M16
WS -80	80	370	271	185	145	4-M16
WS -100	100	370	279	200	160	8-M16
WS -150	150	500	289	220	180	8-M16

**NOTE:** The flange dimension conforms to ISO7005-2:1988 standard. Order for products of special requirements is also accepted.



**NINGBO AIMEI METER MANUFACTURE CO., LTD.**

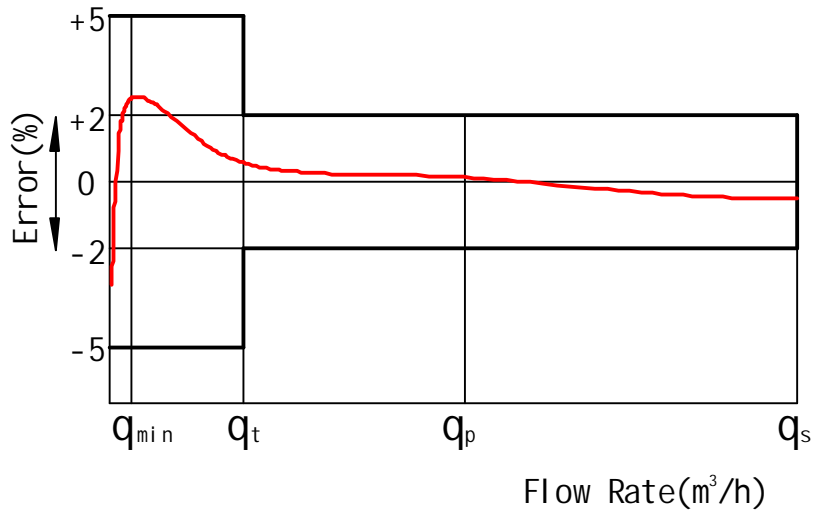
**Address:** 68 Western Town Road Shangtian Town Fenghua City Zhejiang China-315511

Tel: +86-574-88637838

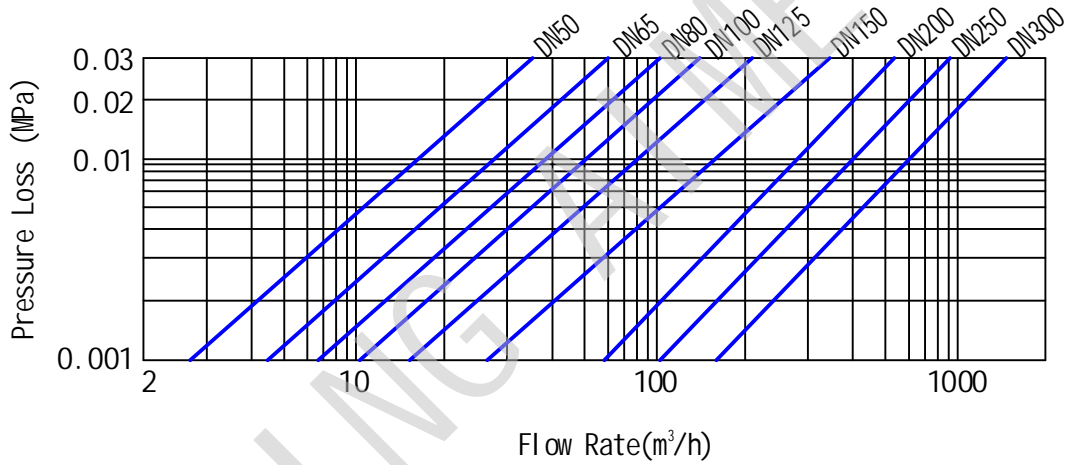
Fax: +86-574-88637968

Email: [aimei@chinaaimei.com](mailto:aimei@chinaaimei.com)

### Flow Error Curve



### Pressure Loss Curve



**NINGBO AIMEI METER MANUFACTURE CO., LTD.**

**Address:** 68 Western Town Road Shangtian Town Fenghua City Zhejiang China-315511

Tel: +86-574-88637838

Fax: +86-574-88637968

Email: [aimei@chinaaimei.com](mailto:aimei@chinaaimei.com)