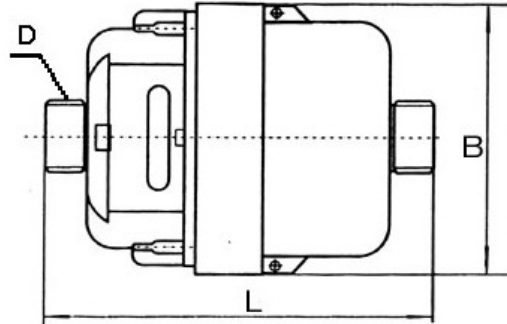


**VOLUMETRIC ROTARY PISTON COLD WATER METER**  
**MODEL: LXH-15A-40A**



**APPLICATION:**

This range of water meter is used to measure the total quantity of cold potable water which consumed in household or a resident unit, passing through the pipeline

**FEATURES:**

Adopt volumetric rotary piston principle of measurement with conformity to ISO 4064 class C/D. High sensitivity enables the accurate measurement even at a low flow rate of 4 l/h No location limitation for installation. Accuracy is not to be affected wherever installed at a horizontal, vertical or inclined pipeline. Register is sealed with a special liquid to keep a clear reading in long term service Mechanical parts use of high-quality material to ensure a stable performance.

**WORKING CONDITION:**

Water temperature:  $\leq +50^{\circ}\text{C}$   
 Water pressure:  $\leq 1.6 \text{ MPa}$  (16 bar)

**COMPLIANCE WITH STANDARD:**

ISO 4064 Class C / D

Type	Size (mm)	Class	$q_s$	$q_p$	$q_t$	$q_{\min}$	Min.Reading	Max.Reading
			Max.Flow	Nominal Flow	Transitional Flow	Min. Flow		
			$\text{m}^3/\text{h}$		$\text{L/h}$		$\text{m}^3$	
LXH-15A	15/18	C	3	1.5	22.5	15.0	0.0001	9999
		D			17.25	11.25		
LXH-20A	20	C	5	2.5	37.5	25	0.0001	9999
		D			28.75	18.75		
LXH-25A	25	C	7	3.5	52.5	35	0.0001	9999
		D			40.25	26.25		
LXH-32A	32	C	12	6	90	60	0.0001	9999
		D			69	45		
LXH-40A	40	C	20	10	150	100	0.0001	99999
		D			115	75		

**NINGBO AIMEI METER MANUFACTURE CO., LTD.**

**Address:** 68 Western Town Road Shangtian Town Fenghua City Zhejiang China-315511

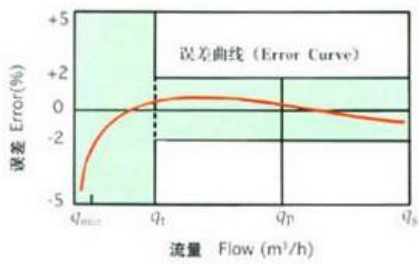
Tel: +86-574-88637838

Fax: +86-574-88637968

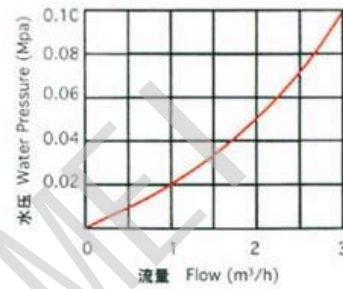
Email: [aimei@chinaaimei.com](mailto:aimei@chinaaimei.com)

Type	Length (mm)	Width (mm)	Connection Thread	Weight (kg)
LXH-15A	115/165/170	86/88	G3/4B	0.85/1.1/1.2
LXH-20A	134/165/190	90	G1B	1.3/1.6/1.8
LXH-25A	200	106	G1 1/2B	2.5
LXH-32A	200	140	G1 1/2B	3.5
LXH-40A	227	152	G2B	4.0

• 流量误差曲线 Flow Error Curve



• 压力损失曲线 Head Loss Curve



**NINGBO AIMEI METER MANUFACTURE CO., LTD.**

**Address:** 68 Western Town Road Shangtian Town Fenghua City Zhejiang China-315511

Tel: +86-574-88637838

Fax: +86-574-88637968

Email: [aimei@chinaaimei.com](mailto:aimei@chinaaimei.com)