

AIMEI WATER METER BOX

(Model: L695)



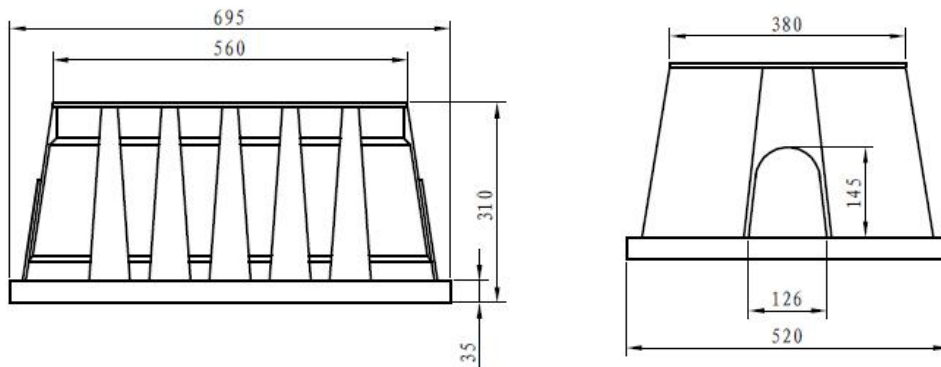
Application:

To protect the water meter or valve.

Features:

Complete plastic, no bottom cover, solid and high quality

Material: PP



Model	Length	Width	Height	Weight
WATER METER BOX – L695	695 mm	520 mm	310 mm	7.5kg

NINGBO AIMEI METER MANUFACTURE CO., LTD.

Address: 68 Western Town Road Shangtian Town Fenghua City Zhejiang China-315511

Tel: +86-574-88637838

Fax: +86-574-88637968

Email: aimei@chinaaimei.com