

**SINGLE JET WET DIAL AND LIQUID-SEALED DIAL WATER METER
MODEL: LXSY-13D**



APPLICATION:

This range of water meter is used to measure the total quantity of cold potable water which consumed in household or a resident unit, passing through the pipeline

FEATURES:

LXSY-13D: Liquid sealed register, long clear breading, etc.

LXS-13D: Small, light, adopting pointer and word-wheel combination count device, convenient reading.

WORKING CONDITION:

Water temperature: $\leq 40^{\circ}\text{C}$ Water pressure: $\leq 1\text{MPa}$

COMPLIANCE WITH STANDARD:

ISO 4064 (GB/T778-1996)

INDICATION ERROR:

At low zone is $\pm 5\%$ from minimum flow rate(q_{\min}) to transitional flow rate(q_t) exclusive boundary

At high zone is $\pm 2\%$ from transitional flow rate(q_t) to overload flow rate(q_s)

NINGBO AIMEI METER MANUFACTURE CO., LTD.

Address: 68 Western Town Road Shangtian Town Fenghua City Zhejiang China-315511

Tel: +86-574-88637838

Fax: +86-574-88637968

Email: aimei@chinaaimei.com

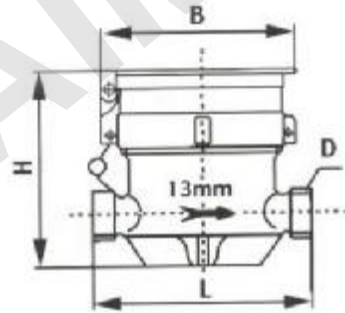
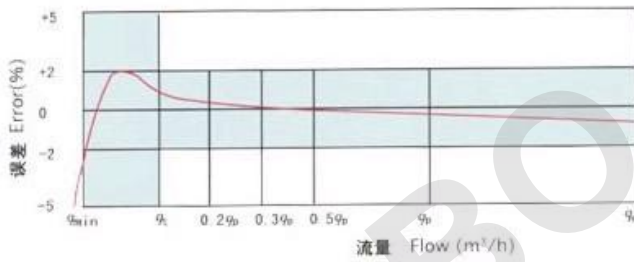
MAIN TECHNICAL DATA

Type	Size (mm)	Class	Qn	Qp	Qn	Qmin	Min. Reading	Max. Reading
			Max. Flow	Nominal Flow	Transitional Flow	Min. Flow		
			m ³ /h				m ³	
LXSY-13D	13	A	3	1.5	0.150	0.060	0.0001	99,999
		B			0.120	0.030		

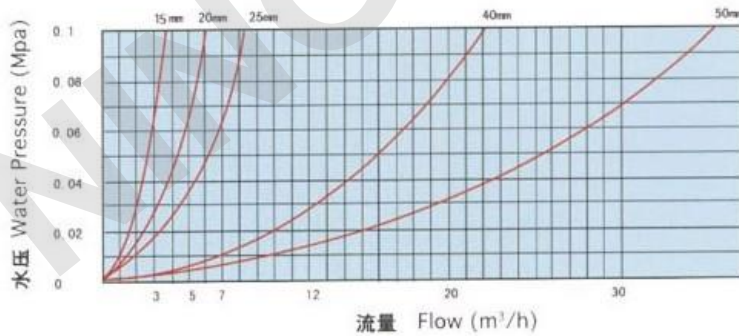
DIMENSIONS AND WEIGHT

Type	Size (mm)	Length	Width	Height	Connecting Thread D	Weight (kg)
mm					D	kg
LXSY-13D	13	100	87	89	G1B	0.8kg

FLOW ERROR CURVE



PRESSURE LOSS CURVE



NINGBO AIMEI METER MANUFACTURE CO., LTD.

Address: 68 Western Town Road Shangtian Town Fenghua City Zhejiang China-315511

Tel: +86-574-88637838

Fax: +86-574-88637968

Email: aimei@chinaaimei.com