

LXSC-13D6

SINGLE JET VANE WHEEL DRY DAIL REMOTE READING WATER METER



Application:

Measuring the volume of cold potable water passing through the pipeline with remote reading device

Features:

Dry type. Small light, magnetic drive, free rotating register, easy and long term clear reading etc. Magnet resistance. Length of body of 80mm or 110mm is available.

Data Output Options:

10 L/Pulse, 100 L/Pulse, or 1000 L/Pulse

Reed Switch Electric Data

Voltage: 24V AC/DC max.

Current: 0.01A max

Working Condition :

Water temperature:

≤40°C for cold potable water meter

≤90°C for hot potable water meter

Working Pressure: ≤1.6Mpa

Maximum Permissible Error

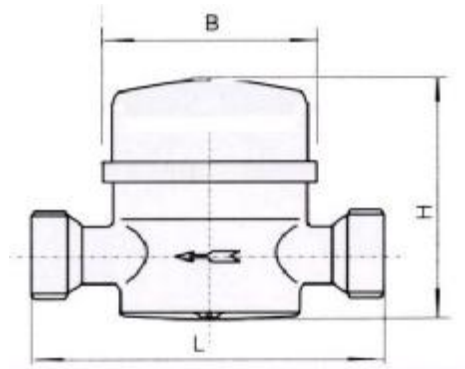
a) In the lower zone from Q_{min} inclusive up to but excluding Q_t is: Cold potable and Hot water meter ±5% b) In the upper zone from Q_t inclusive up to and including Q_s is: Cold potable water meter ±2% Hot water meter ±2%

MAIN TECHNICAL DATA

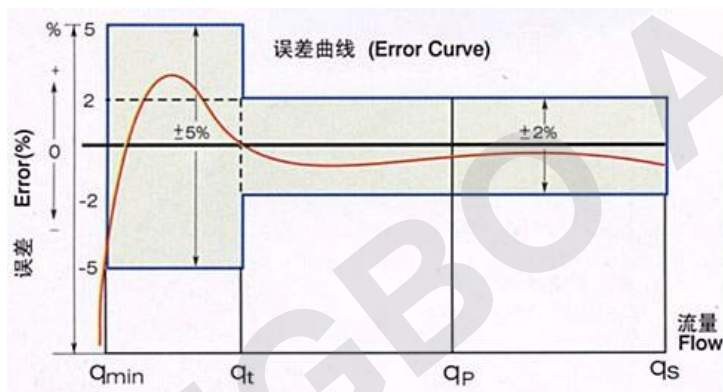
Type	Size (mm)	Class	Qn	Qp	Qn	Qmin	Min. Reading	Max. Reading
			Max. Flow	Nominal Flow	Transitional Flow	Min. Flow		
m ³ /h							m ³	
LXSC-13D6	13	A	3	1.5	150	60	0.0001	99,999
		B			120	30		
		C			22.5	15		

DIMENSIONS AND WEIGHT

Type	Size (mm)	Length	Width	Height	Connecting Thread D	Weight (kg)
mm					D	kg
LXSC-13D6	13	80/110	77	85	G 3/4B	0.6/0.7kg



FLOW ERROR CURVE



PRESSURE LOSS CURVE

