

---

**MULTI-JET DRY TYPE WATER METER**  
**MODEL: LXSC-15K1**



**APPLICATION**

This range of water meter is used to measure the total quantity of cold potable water which consumed in household or a resident unit, passing through the pipeline.

**FEATURES**

This is a dry-type water meter with copper-can register. Its counting and measuring devices are driven by magnetic coupling. It is characterized by easy reading, good antifreezing property and ability to permanently keep the reading clear.

**WORKING CONDITION**

Water temperature:  $\leq 50$  for cold water meter

Water pressure:  $\leq 1\text{MPa}$  or  $1.6\text{MPa}$  optional

**MAXIMUM PERMISSIBLE ERROR**

In the lower zone from  $Q_{\min}$  inclusive up to but excluding  $Q_t$  is  $\pm 5\%$  \_ In the upper zone from  $Q_t$

inclusive up to and including  $Q_s$  is: cold water meter  $\pm 2\%$ , hot water meter  $\pm 3\%$ .

**NOTE**

Technical data conform to International Standard ISO4064

---

**NINGBO AIMEI METER MANUFACTURE CO., LTD.**

**Address:** 68 Western Town Road Shangtian Town Fenghua City Zhejiang China-315511

Tel: +86-574-88637838

Fax: +86-574-88637968

Email: [aimei@chinaaimei.com](mailto:aimei@chinaaimei.com)

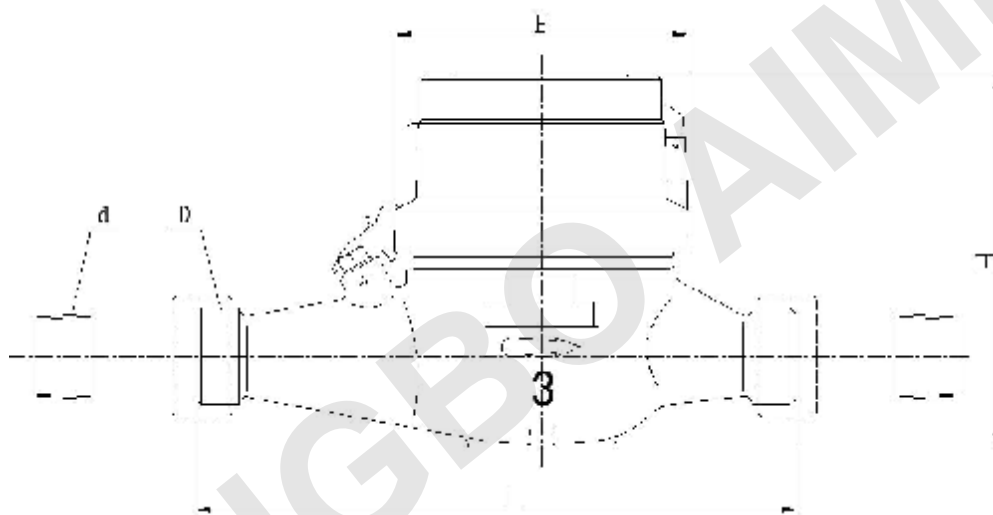
## MAIN TECHNICAL DATA

Type	Size (mm)	Class	Qn	Qp	Qn	Qmin	Min. Reading	Max. Reading
			Max. Flow	Nominal Flow	Transitional Flow	Min. Flow		
			M <sup>3</sup> /h		L/h		M <sup>3</sup>	
LXSC-15K	15	A	3	1.5	150	60	0.0001	99999
		B			120	30		
		B			200	50		

## ACCESSORIES

Each water meter has one set couplings optional: 2pcs tube, 2pcs nut and 2pcs gasket.

## DIMENSIONS AND WEIGHT



Type	Size	Length	Width	Height	Connecting Thread D	Weight (kg)
LXSC-15K	15	165	99	104	G 3/4B	1.4/1.6

## NINGBO AIMEI METER MANUFACTURE CO., LTD.

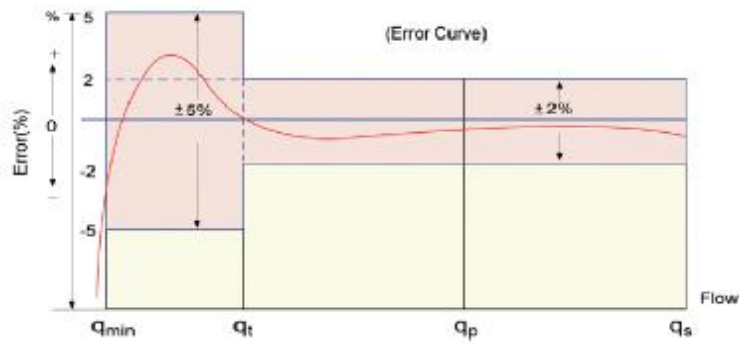
**Address:** 68 Western Town Road Shangtian Town Fenghua City Zhejiang China-315511

Tel: +86-574-88637838

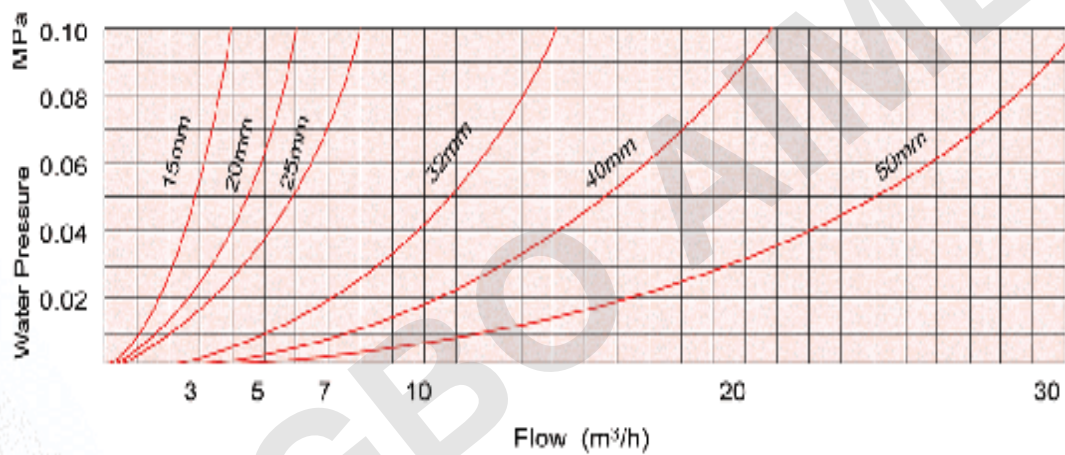
Fax: +86-574-88637968

Email: [aimei@chinaaimei.com](mailto:aimei@chinaaimei.com)

## FLOW ERROR CURVE



## PRESSURE LOSS CURVE



**NINGBO AIMEI METER MANUFACTURE CO., LTD.**

**Address:** 68 Western Town Road Shangtian Town Fenghua City Zhejiang China-315511

Tel: +86-574-88637838

Fax: +86-574-88637968

Email: [aimei@chinaaimei.com](mailto:aimei@chinaaimei.com)