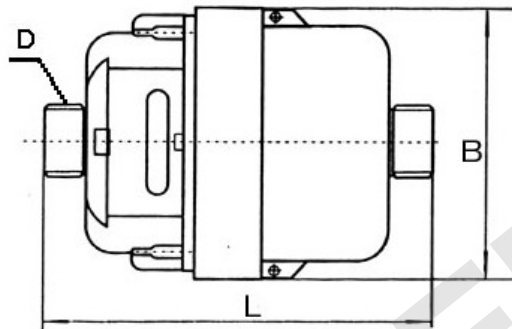


VOLUMETRIC ROTARY PISTON COLD WATER METER
MODEL: LXH-15A-40A



APPLICATION:

This range of water meter is used to measure the total quantity of cold potable water which consumed in household or a resident unit, passing through the pipeline

FEATURES:

Adopt volumetric rotary piston principle of measurement with conformity to ISO 4064 class C/D. High sensitivity enables the accurate measurement even at a low flow rate of 4 l/h No location limitation for installation. Accuracy is not to be affected wherever installed at a horizontal, vertical or inclined pipeline. Register is sealed with a special liquid to keep a clear reading in long term service Mechanical parts use of high-quality material to ensure a stable performance.

WORKING CONDITION:

Water temperature: $\leq +50^{\circ}\text{C}$
 Water pressure: $\leq 1.6 \text{ MPa}$ (16 bar)

COMPLIANCE WITH STANDARD:

ISO 4064 Class C / D

| Type | Size (mm) | Class | q_s | q_p | q_t | q_{\min} | Min. Reading | Max. Reading |
|---------|-----------|-------|-----------------------|--------------|-------------------|------------|--------------|--------------|
| | | | Max. Flow | Nominal Flow | Transitional Flow | Min. Flow | | |
| | | | m^3/h | | L/h | | m^3 | |
| LXH-15A | 15/18 | C | 3 | 1.5 | 22.5 | 15.0 | 0.0001 | 9999 |
| | | D | | | 17.25 | 11.25 | | |
| LXH-20A | 20 | C | 5 | 2.5 | 37.5 | 25 | 0.0001 | 9999 |
| | | D | | | 28.75 | 18.75 | | |
| LXH-25A | 25 | C | 7 | 3.5 | 52.5 | 35 | 0.0001 | 9999 |
| | | D | | | 40.25 | 26.25 | | |
| LXH-40A | 40 | C | 20 | 10 | 150 | 100 | 0.0001 | 99999 |
| | | D | | | 115 | 75 | | |

NINGBO AIMEI METER MANUFACTURE CO., LTD.

Address: 68 Western Town Road Shangtian Town Fenghua City Zhejiang China-315511

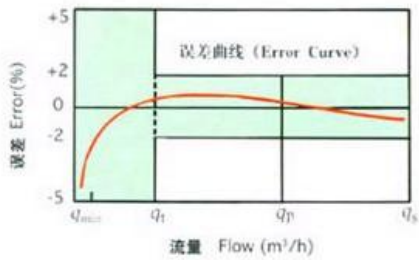
Tel: +86-574-88637838

Fax: +86-574-88637968

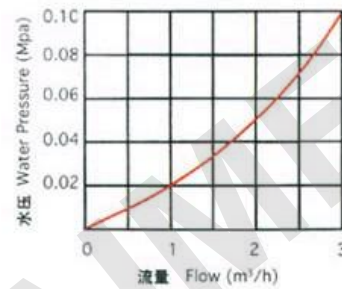
Email: aimei@chinaaimei.com

| Type | Length (mm) | Width (mm) | Connection Thread | Weight (kg) |
|---------|-------------|------------|-------------------|--------------|
| LXH-15A | 115/165 | 86/88 | G3/4B | 0.85/1.1/1.2 |
| LXH-20A | 165/190 | 90 | G1B | 1.3/1.6/1.8 |
| LXH-25A | 199 | 106 | G1 1/2B | 2.5 |
| LXH-40A | 227 | 152 | G2B | 4.0 |

• 流量误差曲线 Flow Error Curve



• 压力损失曲线 Head Loss Curve



NINGBO AIMEI METER MANUFACTURE CO., LTD.

Address: 68 Western Town Road Shangtian Town Fenghua City Zhejiang China-315511

Tel: +86-574-88637838

Fax: +86-574-88637968

Email: aimei@chinaaimei.com